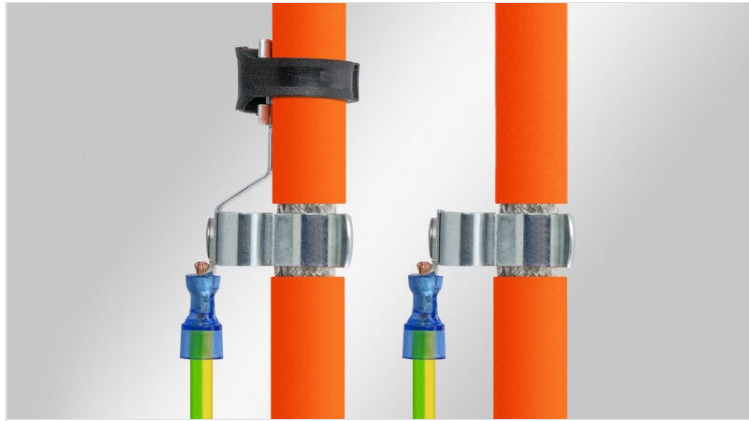


EMC shield clamps on cable lugs

with or without integrated cable fixing function



EMC shield clamps are used, where the shield of cables must be connected to the earth potential. They are easy to use and effective in earthing single cable shields. The shield clamps are mounted on ring cable lugs which can be crimped on PE conductors.

The RCLZ-M shield clamps allow a secure fixing of the cable with cable ties.

The size of the ring cable lug diameter is shown by differing colours:

- Red: 0.5 - 1.5 mm²
- Blue: 1.0 - 2.5 mm²
- Yellow: 4 - 6 mm²



RoHS compliant



Made in Germany

Specifications

Material	Shield clamp: Spring steel, zinc plated Mounting foot: Polycarbonate
Operating temperature	-30 C° to 120 C°
Properties	vibration proof
Mounting options	Clamping

Advantages & benefits

- Large contact area
- The spring design requires no adjustments and will permanently maintain contact to the cable shield
- Shock and vibration resistant, maintenance free
- UL listed

Product types & sizes

RCL 0.5-1.5mm²|SKL 1.5-3



Part No.	36296.1	Min. shield diam.	1,5 mm
EAN	4251269319655	Max. shield diam.	3 mm
Package quantity	25	Length	20 mm
No. of shield clamps	1	Strain relief function	No
Shield clamp type	SKL	Width	11,8 mm
For max. no. of cables	1	Height	17,8 mm
Shield diameter	1,5 - 3 mm		



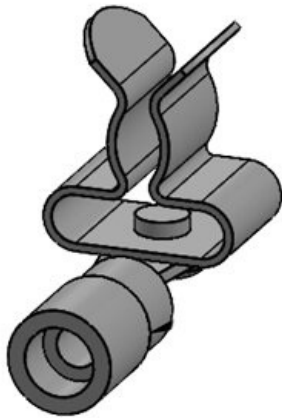
Part No.	36296.2	Min. shield diam.	3 mm
EAN	4251269319	Max. shield diam.	12 mm
Package quantity	25	Length	20 mm
No. of shield clamps	1	Strain relief function	No
Shield clamp type	MSKL	Width	14,9 mm
For max. no. of cables		Height	25,4 mm
Shield diameter	3 - 12 mm		



Part No.	36297.1	Min. shield diam.	1,5 mm
EAN	4251269319	Max. shield diam.	3 mm
Package quantity	25	Length	21 mm
No. of shield clamps	1	Strain relief function	No
Shield clamp type	SKL	Width	11,8 mm
For max. no. of cables		Height	18,2 mm
Shield diameter	1,5 - 3 mm	Cable lug size	1.0 - 2.5 mm²

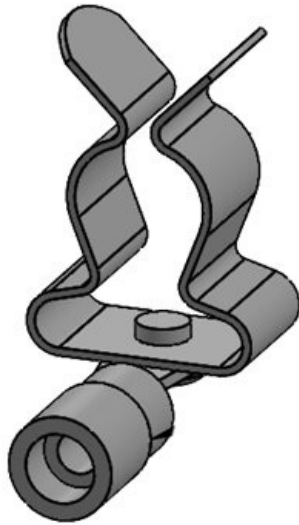
RCL 1.0-2.5mm²|SKL 3-6

Part No.	36297.3	Min. shield diam.	3 mm
EAN	4251269324	Max. shield diam.	6 mm
Package quantity	25	Length	21 mm
No. of shield clamps	1	Strain relief function	No
Shield clamp type	SKL	Width	11,8 mm
For max. no. of cables	1	Height	19 mm
Shield diameter	3 - 6 mm	Cable lug size	1.0 - 2.5 mm²

**RCL 1.0-2.5mm²|SKL 6-8**

Part No.	36297.4	Min. shield diam.	6 mm
EAN	4251269324	Max. shield diam.	8 mm
Package quantity	25	Length	21 mm
No. of shield clamps	1	Strain relief function	No
Shield clamp type	SKL	Width	11,8 mm
For max. no. of cables	1	Height	20 mm
Shield diameter	6 - 8 mm	Cable lug size	1.0 - 2.5 mm²





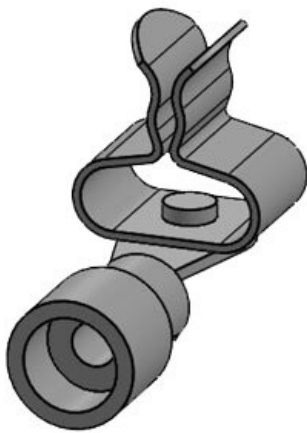
Part No.	36297.5	Min. shield diam.	8 mm
EAN	4251269324	Max. shield diam.	11 mm
Package quantity	25	Length	21 mm
No. of shield clamps	1	Strain relief function	No
Shield clamp type	SKL	Width	14 mm
For max. no. of cables	1	Height	25 mm
Shield diameter	8 - 11 mm	Cable lug size	1.0 - 2.5 mm²



Part No.	36297.2	Min. shield diam.	3 mm
EAN	4251269319	Max. shield diam.	12 mm
Package quantity	25	Length	21 mm
No. of shield clamps	1	Strain relief function	No
Shield clamp type	MSKL	Width	14,9 mm
For max. no. of cables	1	Height	25,8 mm
Shield diameter	3 - 12 mm	Cable lug size	1.0 - 2.5 mm²

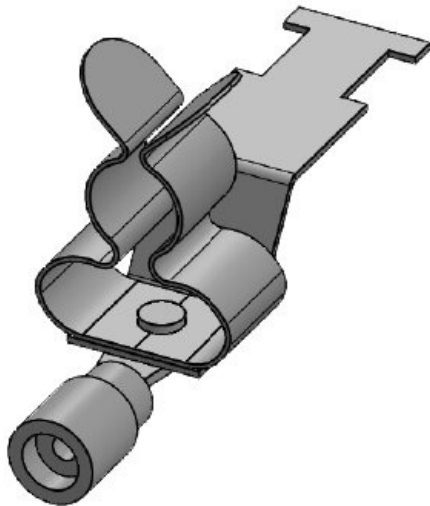
RCL 4-6mm²|SKL 1.5-3

Part No.	36298.1	Min. shield diam.	1,5 mm
EAN	4251269319	Max. shield diam.	3 mm
Package quantity	25	Length	24 mm
No. of shield clamps	1	Strain relief function	No
Shield clamp type	SKL	Width	11,8 mm
For max. no. of cables	1	Height	19,1 mm
Shield diameter	1,5 - 3 mm	Cable lug size	4 - 6 mm²

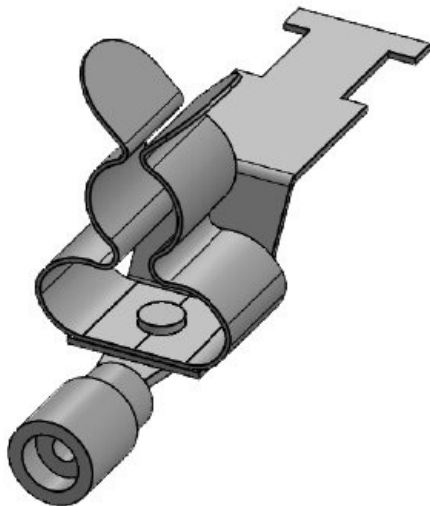
**RCL 4-6mm²|MSKL 3-12**

Part No.	36298.2	Max. shield diam.	12 mm
EAN	4251269319	Length	24 mm
Package quantity	25	Strain relief function	No
No. of shield clamps	1	Width	14,9 mm
Shield clamp type	MSKL	Height	26,7 mm
For max. no. of cables	1	Cable lug size	4 - 6 mm²
Min. shield diam.	3 mm		





Part No.	36301.2	Min. shield diam.	3 mm
EAN	4251269322	Max. shield diam.	12 mm
Package quantity	25	Length	45,5 mm
No. of shield clamps	1	Strain relief function	Yes
Shield clamp type	MSKL	Width	15 mm
For max. no. of cables	1	Height	26 mm
Shield diameter	3 - 12 mm		



Part No.	36302.2	Min. shield diam.	3 mm
EAN	4251269322	Max. shield diam.	12 mm
Package quantity	25	Length	46,5 mm
No. of shield clamps	1	Strain relief function	Yes
Shield clamp type	MSKL	Width	15 mm
For max. no. of cables	1	Height	26 mm
Shield diameter	3 - 12 mm	Cable lug size	1.0 - 2.5 mm²

Part No.	36303.2	Min. shield diam.	3 mm
EAN	4251269322	Max. shield diam.	12 mm
Package quantity	25	Length	49,5 mm
No. of shield clamps	1	Strain relief function	Yes
Shield clamp type	MSKL	Width	15 mm
For max. no. of cables	1	Height	27 mm
Shield diameter	3 - 12 mm	Cable lug size	4 - 6 mm²

